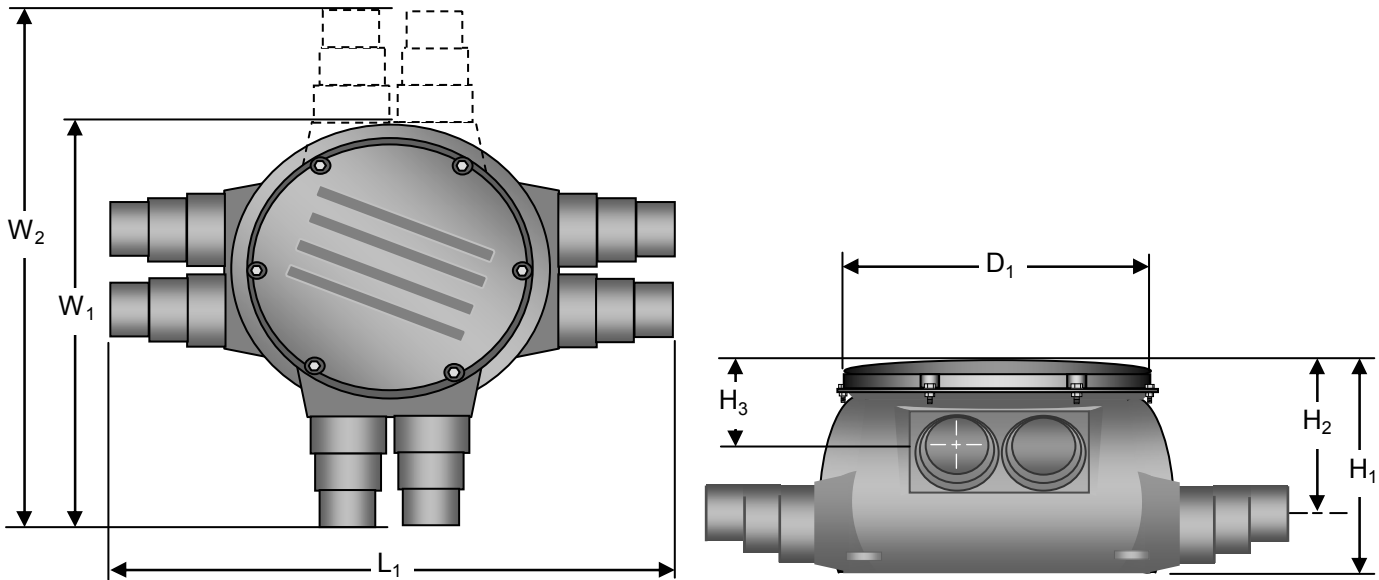




SUBMITTAL DATA SHEET



Job name:	Drawing No.	Date:	
Location:	Revisions	Product Name: Connection Vault	
Owner:	Date		Drawing
Engineer:			
General Contractor:			
Contractor:			



Dimensions and Weight									
Part no.	L ₁ Overall Length (inch)	W ₁ Overall Width (inch)	W ₂ Overall Width (inch)	H ₁ Overall Height (inch)	H ₂ Top to Centerline (inch)	H ₃ Top To Centerline (inch)	D ₁ Access Cover (inch)	Outlets (each)	Weight (inch)
525816	66	52	x	29	19	11	30	6	110
525818	66	x	65	29	19	11	30	8	115

Materials	
Body	Rotationally Molded Polyethylene
Body Interior	Polyethylene Insulation
Cover	Polyethylene
Cover Fasteners	Stainless Steel
Cover Gasket	EPDM Rubber

- Notes:
1. This data is subject to change without notice.
 2. The product may be stored outside without damage.
 3. Please call factory or representative for installation details of your specific application.