

ProPEX[®] Engineered Plastic (EP) Elbow

Submittal Information
Revision B: Sept. 18, 2008

Project Information

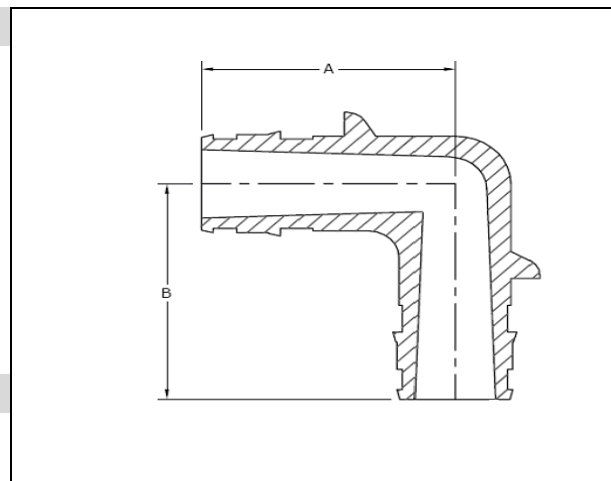
Job Name:	
Location:	Part No. Ordered:
Engineer:	Date Submitted:
Contractor:	Submitted By:
Manufacturer's Representative:	Approved By:

Technical Data

Material: UDEL[®] Polysulfone, 20% Glass-reinforced (½ to 1")
Acudel[®] Modified Polyphenylsulfone (1¼" to 1½")
Radel[®] Polyphenylsulfone (2")

Maximum Temperature (no pressure): 320°F (160°C)

Maximum Working Temperature/Pressure: 210°F (99°C) at 150 psi



Product Information and Application Use

ProPEX[®] Engineered Plastic (EP) Elbow makes 90-degree connections for Uponor PEX tubing in supply and return mains.¹

✓ Description	Part Number	A	B	Weight
ProPEX EP Elbow, ½" PEX x ½" PEX	Q4760500	1.30"	1.30"	0.02 lbs.
ProPEX EP Elbow, ¾" PEX x ¾" PEX	Q4760750	1.60"	1.60"	0.03 lbs.
ProPEX EP Elbow, 1" PEX x 1" PEX	Q4761000	2.10"	2.10"	0.07 lbs.
ProPEX EP Elbow, 1¼" PEX x 1¼" PEX	Q4761250	2.45"	2.45"	0.11 lbs.
ProPEX EP Elbow, 1½" PEX x 1½" PEX	Q4761500	2.77"	2.77"	0.18 lbs.
ProPEX EP Elbow, 2" PEX x 2" PEX	Q4762000	3.76"	3.76"	0.30 lbs.

Installation

Use the appropriate ProPEX Ring for PEX tubing. Refer to the AQUAPEX[®] Professional Plumbing Installation Handbook or Uponor Radiant Installation Handbook for additional information.

Standards

CAN/CSA B137.5; ASTM F877; ASTM F1960

Codes

IPC; UPC; NSPC; NPC of Canada

Listings

IAPMO 3558; ANSI/NSF 14- and 61-certified; HUD MR 1269; ICC ESR 1099

Related Applications

PEX-a Plumbing Systems
Radiant Heating and Cooling Systems

Contact Information

Uponor, Inc.
5925 148th Street West
Apple Valley, MN 55124 USA
Phone: (800) 321-4739
Fax: (952) 891-2008
www.uponor-usa.com

Uponor Ltd.
2000 Argentia Road, Plaza 1, Suite 200
Mississauga, ON L5N 1W1 CANADA
Phone: (888) 994-7726
Fax: (800) 638-9517
www.uponor.ca

¹ProPEX[®] is a registered trademark of Uponor, Inc. ProPEX[™] is a trademark of Uponor Ltd.